

The logo for 'texi' is located in the top left corner. It features a stylized white flower icon to the left of the word 'texi' in a white, lowercase, sans-serif font. The entire logo is set against a purple, wavy-edged background shape.



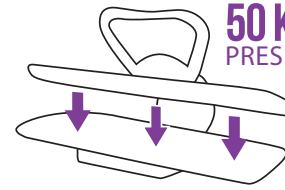
Electronically controlled steam press **Apollo**



Electronically controlled steam press

Is ideal for ironing garments, children's clothes, linen, curtains, towels, tablecloths, etc. It works in removing wrinkles and folds. Intuitive to use and efficient in operation. Unlike cylindrical press it is safe for user and compact.

DIGITAL
CONTROL



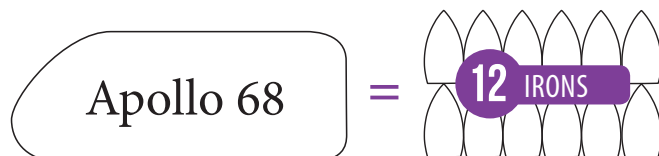
50 KG
PRESSURE



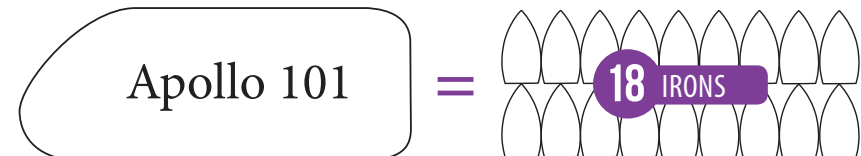
Steam
Booster



texi Apollo 68



texi Apollo 101



texi® Apollo 68

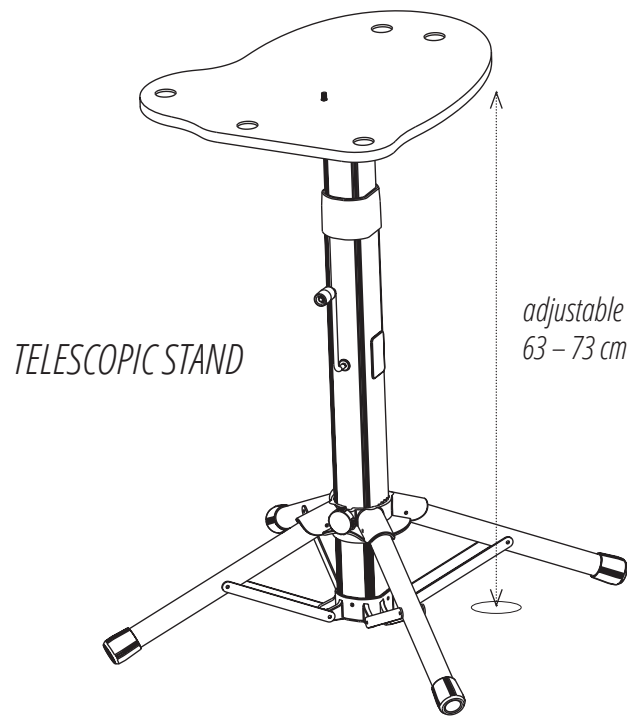
- ironing surface – 12 times the area of a standard iron (66 x 26 cm)
- function of dry and steam ironing
- maximum warm-up time 2 min.
- 5- step, intuitive temperature indicator (nylon, silk, wool, cotton, linen)
- temperature range of 60 - 180°C
- steam output 120 g/min
- “BOOSTER” function – powerful steam burst
- water tank capacity 800 ml
- pressure up to 50 kg
- automatic security control system – press automatically disconnects after 15 minutes of inactivity or 15 seconds of permanent closure
- sound system informing, among others, about obtaining the desired temperature and need to fill the tank with water
- equipped with anti-scale cartridge and an electronic control system to replace the cartridge
- additional cushion for easy ironing of sleeves, pleats, etc. in set
- voltage 220 - 240 V
- power 1600 W

texi® Apollo 101

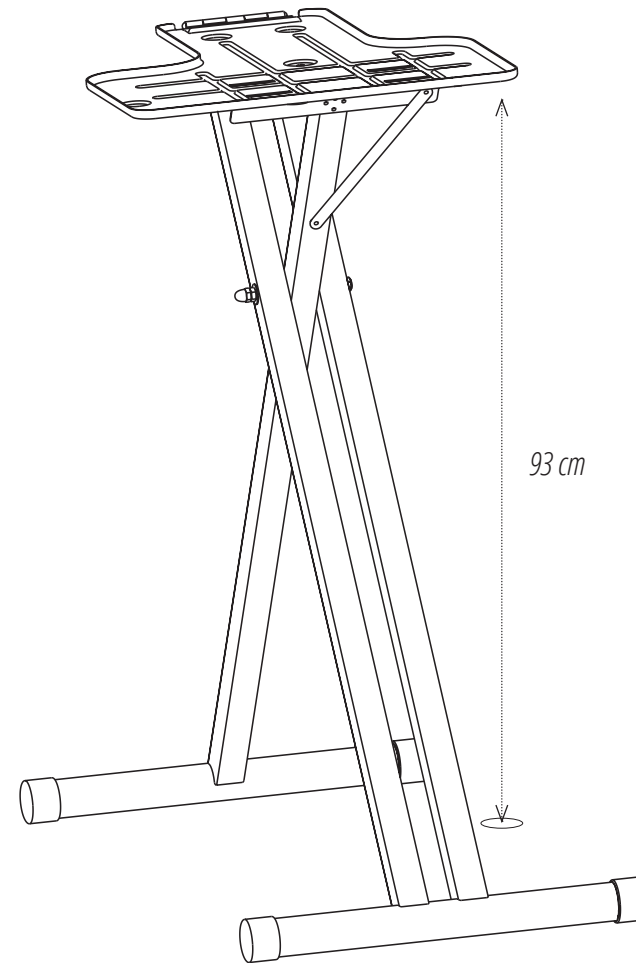
- ironing surface – 18 times the area of a standard iron (99 x 29 cm)
- function of dry and steam ironing
- maximum warm-up time 2 min.
- 5- step, intuitive temperature indicator (nylon, silk, wool, cotton, linen)
- temperature range of 60 - 180°C
- steam output 120 g/min
- “BOOSTER” function – powerful steam burst
- water tank capacity 800 ml
- pressure up to 50 kg
- automatic security control system – press automatically disconnects after 15 minutes of inactivity or 15 seconds of permanent closure
- sound system informing, among others, about obtaining the desired temperature and need to fill the tank with water
- equipped with anti-scale cartridge and an electronic control system to replace the cartridge
- additional cushion for easy ironing of sleeves, pleats, etc. in set
- voltage 220 - 240 V
- power 2.200 W

Model	Apollo 68	Apollo 101
Ironing surface	660 x 260 mm	990 x 290 mm
Pressure	50 kg	50 kg
Maximum warm-up time	2 min	2 min
Temperature range	60 - 180 °C	60 - 180 °C
Steam output	120 g/min.	120 g/min
Anti-scale cartridge	in standard	in standard
Water tank capacity	800 ml	800 ml
Power	1.600 W	2.200 W
Voltage	220 – 240 V 50-60 Hz	220 – 240 V 50-60 Hz

Optional stands for Apollo presses



TEXI AP02
for sitting work



TEXI AP01
for standing work